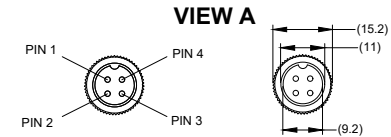
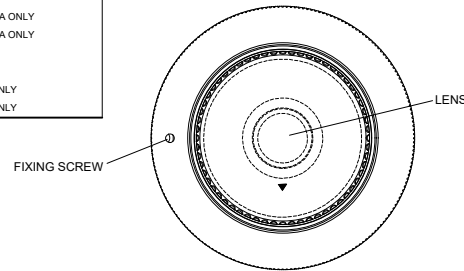


TABLE 1: MD-XX (XX) SERIES CAMERA ONLY OPTIONS

PART NO.	MODEL NO.	BRIEF DESCRIPTION
5684	MD-50 (SW)-C	SELECT CAMERA, MINI DOME CAMERA, SUPER WIDE (PAL) - CAMERA ONLY
5687	MD-51 (SW)-C	SELECT CAMERA, MINI DOME CAMERA, SUPER WIDE (NTSC) - CAMERA ONLY
5689	MD-60 (SW)-C	SELECT CAMERA, MINI DOME CAMERA - 720P / 25FPS, SUPER WIDE ANGLE (AHD) - CAMERA ONLY
5691	MD-61 (SW)-C	SELECT CAMERA, MINI DOME CAMERA - 720P / 30FPS, SUPER WIDE ANGLE (AHD) - CAMERA ONLY
5693	MD-50 (W)-C	SELECT CAMERA, MINI DOME CAMERA, WIDE ANGLE (PAL) - CAMERA ONLY
5695	MD-51 (W)-C	SELECT CAMERA, MINI DOME CAMERA, WIDE ANGLE (NTSC) - CAMERA ONLY
5697	MD-60 (W)-C	SELECT CAMERA, MINI DOME CAMERA - 720P / 25FPS, WIDE ANGLE (AHD) - CAMERA ONLY
5699	MD-61 (W)-C	SELECT CAMERA, MINI DOME CAMERA - 720P / 30FPS, WIDE ANGLE (AHD) - CAMERA ONLY

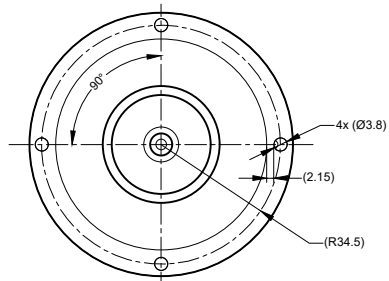
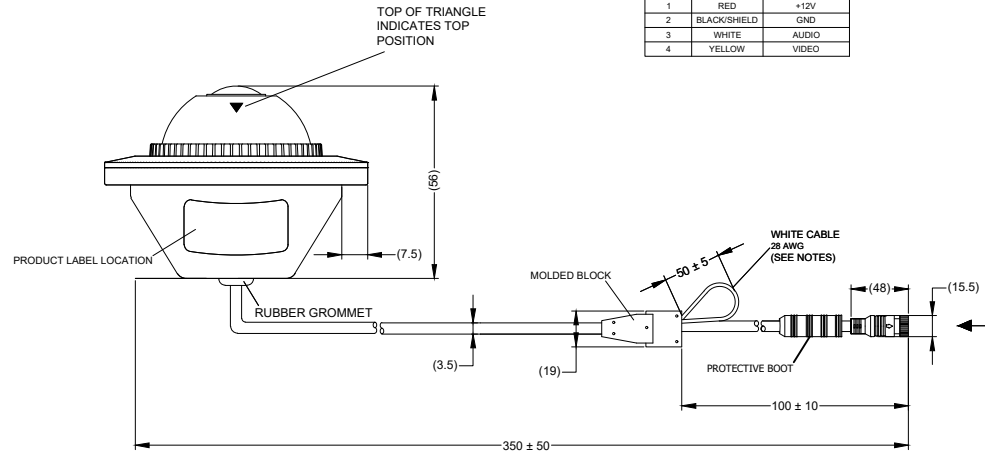
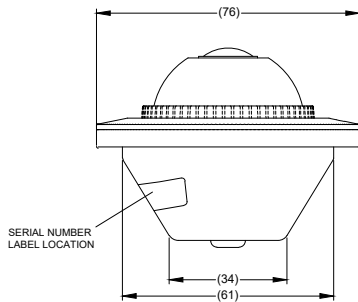
Revision Notes.

APA: -	Drawn:-	Checked:-	Approved:-	Date: -
--------	---------	-----------	------------	---------



4 PIN FEMALE MATING FACE

PIN #	WIRE COLOUR	DESCRIPTION
1	RED	+12V
2	BLACK/SHIELD	GND
3	WHITE	AUDIO
4	YELLOW	VIDEO



NOTES:

- CUT WHITE CABLE FOR MIRROR IMAGE AND INSULATE EXPOSED WIRES.
- REFER TO PRODUCT SPECIFICATIONS FOR TECHNICAL DETAILS.
- FOR PACKAGING AND LABELING DETAIL REFER TO LATEST REVISION OF THE MASTER BOM.
- PROTECTIVE BOOT TO MAINTAIN IP RATING. SPECIFICATION CONTROLLED BY SUPPLIER.

PROPRIETARY NOTICE

THIS DESIGN AND TECHNICAL INFORMATION APPEARING ON THIS DRAWING IS THE PROPERTY OF BRIGADE ELECTRONICS, AND IS DISCLOSED IN CONFIDENCE. IT IS NOT TO BE COPIED, REPRODUCED, REVEALED TO OR EXPROPRIATED BY OTHERS, EITHER IN WHOLE OR IN PART WITHOUT THE EXPRESS WRITTEN CONSENT OF BRIGADE ELECTRONICS.

BRIGADE
www.brigade-electronics.com

Assembly Pl Approval C. ZHANG	Approved by S. LAVER	Checked by R. Bates	Drawn by S. Robertson
Angle of Projection 	Units mm	Scale N/A	Released 25/02/19
Third Angle	Status RELEASED	Assembly Ref MD-XX (XX) - C SERIES	
	Part No SEE TABLE 1	BE-003953-00-18	